

PINNACLE 24V IP67 LED Tape Light

TL260

CUTTING AND INSTALLING 24V COB IP67 TAPE LIGHT FAST CONNECTORS

IMPORTANT

Read all instructions in order to ensure safety and proper installation.

GENERAL INFORMATION

***Ensure all connections are tightly sealed.**

Note: Some connections need to be sealed using waterproof silicone sealant/caulking, which is not provided. Must be purchased from local hardware store.

Wet location tape light model TL260 must be installed using the specified mounting clips. Ensure to not damage the silicone protective coating during installation.

Must be installed with 24V DC power supply ONLY (sold separately). Recommended to use with the Pinnacle Series driver series (TLD24V-30W, TLD24V-60W, TLD24V-96W, TLD24V-192W or TLD24V-288W).

Read and follow instructions to avoid electric shock and achieve a proper installation.

Save these instructions for future reference.

It is recommended to consult your electrician for all high voltage wiring to the LED Class 2 drivers and connecting all 24V low voltage LED tape light.

Installation surface must be cleaned and dry prior to the tape light being applied.

MAINTENANCE & CARE

1. Ensure that the power is disconnected prior to servicing.
2. To keep the finish of this product, wipe with soft cloth periodically.
3. Do not use harsh chemical solvents as it may discolour or damage the finish or lens.

BEFORE INSTALLATION

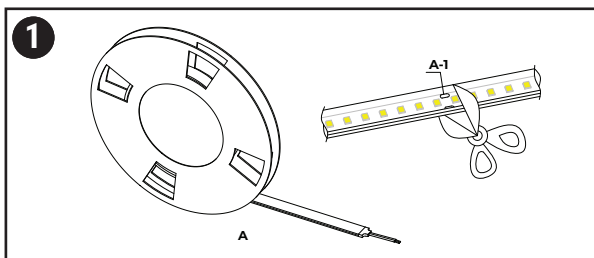
1. Read these instructions carefully before attempting to install this product.
2. Disconnect electrical power before installing or servicing any part of this fixture.

INSTALLATION GUIDE

⚠ WARNING

Risk of electric shock. Turn OFF power before installation or removal.

INSTALLING 24V COB IP67 TAPE LIGHT FAST CONNECTORS



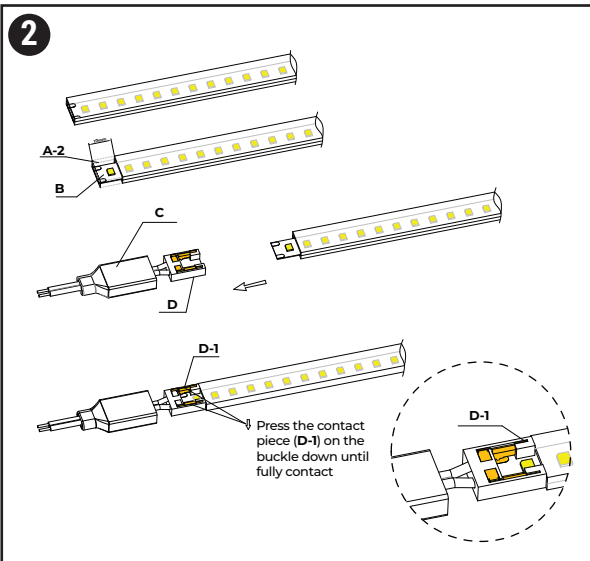
- 1 Never power the TL260 tape light while it is still on the reel. Powering the tape light with it still on the reel can cause the tape to overheat and damage the product.
- 2 Remove the LED reel from the anti-static bag.
- 3 Inspect the tape light reel and ensure there are no signs of damage.
- 4 Measure the tape light to the desired length and cut the tape light at the nearest cut point (A-1). Use scissors or a sharp utility knife to cut the tape light

INSTALLATION GUIDE

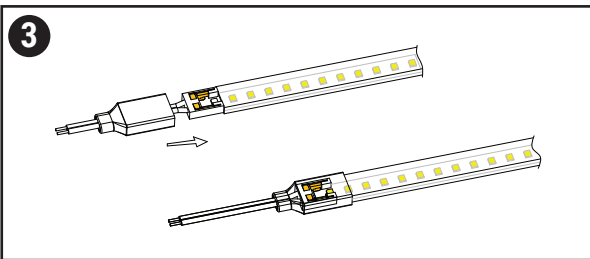
⚠ WARNING

Risk of electric shock. Turn OFF power before installation or removal.

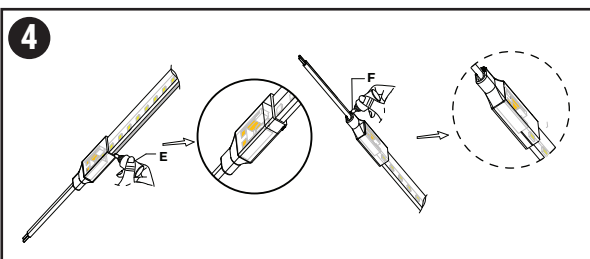
INSTALLING 24V COB IP67 TAPE LIGHT FAST CONNECTORS



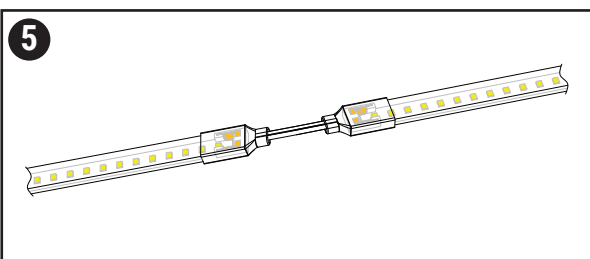
- 1 Hold the end of the tape light where you made your cut, using a sharp utility knife carefully cut away the surrounding coating (A-2) approx.. 3/8" to expose the tape light board (B). Be careful not to damage the FPC board or any LED chips.
- 2 Slide back the silicone cap (C) from the fast connector buckle(D).
- 3 Insert the exposed tape light portion into the fast connector buckle (D) and ensure the polarity of the tape is correct: 24V+ to the white wire and neutral (-) to the grey wire.
- 4 Push the tape light all the way into the connector ensuring the connection points of the buckle are aligned with the copper pads of the tape light.
- 5 Using pliers, compress the connection bar (D-1) on the connector (D) down until there is a tight contact with the copper pads on the tape light.



- 1 Lay the tape light flat and prior to sealing the fast connector, test the connections by wiring to the power source.
- 2 Pull the silicone sleeve over the fast connector until it fully covers the connector and tape light.



- 1 Using waterproof silicone sealant/adhesive (sold separately), fill the edges of the silicone cover around the LED tape light (E). Wipe away any excess glue with a dust-free cloth.
- 2 Fill the silicone cover around the 24V wire leads (F) ensuring a tight seal.
- 3 Make sure to wait the required time period for the silicone sealant/adhesive to dry prior to installing the tape light.
- 4 When terminating a tape light run, use the silicone end cap connectors and ensure to tightly seal the end cap with waterproof silicone sealant/adhesive.



- 1 When using tape to tape joiner connector, follow the step by step guide above for both connections.

DRIVER

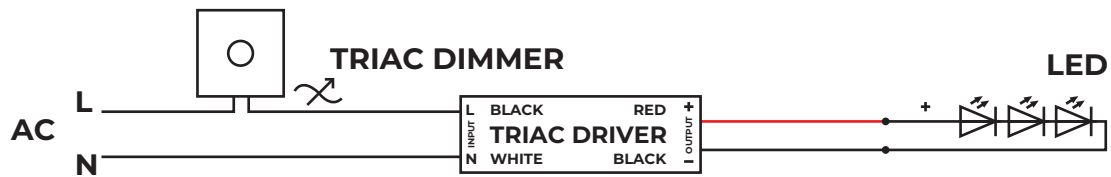
24V tape light must always be used in conjunction with a Class 2 rated LED driver. Never connect the tape light directly to high voltage power. Bypassing the driver will damage and burn out the LEDs.

For full range dimmability, we recommend using the NDR LED Class 2 drivers (TLD24V-30W, TLD24V-60W, TLD24V-96W, TLD24V-192W or TLD24V-288W).

Ensure to refer to the 24V Tape Light LED Driver dimmer compatibility page on ndrelectric.com to find the LED dimmer best suited for your installation.

The NDR LED drivers are rated for 120-277V input/ 24V output. Ensure that you connect the wires from the power source to the input side of the driver and the wires from the tape light to the output side of the driver.

When installing in a wet location, ensure to use proper wet location rated knockout connectors. Failure to use proper connectors can cause damage to wiring compartment and/or to the LEDs on the tape light.



Limited Warranty

The warranty applies to the product from the original date of purchase for five (5) years against manufacturing defects. The owner must provide a copy of the original proof of purchase. The manufacturer's obligation under this warranty is limited to repairing or replacing the component. It is not related in any way to the cost of the connection, the installation of the replacement parts or cost of transport. For all claims, please contact our customer service department at 1-855-739-8228 or e-mail us at sales@ndrelectric.com

Important Safety Information

Before installing your light fixture, thoroughly review enclosed installation manual. Check all connections to be sure they are tight and correct. This fixture is not serviceable. Any attempt to disassemble this fixture may cause damage to the product and will void warranty. This product must be installed in accordance with the applicable installation code by a person familiar with the construction and operation of the product and the hazards involved. If you are unsure about the wiring, installation, or maintenance of this fixture, consult a qualified electrician or local electrical inspector, and check your local electrical code.

WARNING: Risk of electrical shock. Turn off the main power at fuse or circuit breaker before wiring the fixture to the power supply.

CAUTION: Risk of injury. Some parts of this fixture may have sharp edges. To prevent cuts and scrapes, wear gloves when handling the parts. Account for small parts and destroy packing material, as these may be hazardous to children.

CAUTION: Risk of fire. Use only on 120 - 277 volt 60Hz circuits. The tape light products are compatible for use with LED dimmers.