

TLD24V-192W
**24V DRIVER FOR PINNACLE SERIES
SPECIFICATION GRADE LED TAPE LIGHT**

FEATURES

- Output constant voltage
- UL, cUL listed, Class 2, Class P, Type HL
- Universal AC input: 100-277VAC
- Power factor: up to 0.99
- High efficiency: up to 89%
- Dimming range: 0-100%
- Load: 10-100%
- Protection: short circuit / over loading / over temperature
- PWM output, does not change the color index
- Full protection aluminum housing, for dry, damp and wet location
- Flicker-free
- Compatible with Forward phase, Reverse phase, Triac, MLV, ELV dimmers
- Recommended & tested driver for Pinnacle Series LED tape light

SPECIFICATIONS

Model	TLD24V-192W	
Certificates	UL cUL Class 2 FCC	
Output	DC Voltage	24V
	Rated Current	2*4A
	Rated Power	192W (2*96W)
	Voltage Tolerance	±0.5V
	Voltage Regulation	±0.5%
	Load Regulation	±1%
Input	Voltage Range	100-277VAC
	Frequency Range	47-63Hz
	Power Factor (Typ.) @ full load	0.99@120VAC; 0.94@277VAC
	THD (Typ.) @ full load	<20%
	Efficiency (Typ.) @ full load	87%@120VAC; 89%@277VAC
	AC Current (Max.)	2.3A@100VAC
	Inrush Current (Typ.)	19A (twidht=1.3ms) @120VAC; 38A (twidht=960us) @277VAC
	Leakage Current	<0.50mA
Protection	Short Circuit	Shut down o/p voltage, re-power on to recover after fault condition removed
	Over Loading	≤120% Hiccup mode, recovers automatically after fault condition is removed
	Over Temperature	100°C±10°C shut down o/p voltage, automatically recover after cooling
Environment	Working Temperature	-40~+60°C (-40~+140°F)
	Working Humidity	20~90%RH, non-condensing
	Storage Temperature & Humidity	-40~+80°C (-40~+176°F), 10~95%RH
	Temperature Coefficient	±0.03%/°C/°F (0~50°C/32~122°F)
	Vibration	10~500Hz, 5G 10min./1 cycle, period for 60min. each along X, Y, Z axes
Safety & EMC	Safety Standards	UL8750+UL1310 + CSA C22.2 NO.250.13
	Withstand Voltage	I/P-O/P:1.88KVAC
	Isolation Resistance	I/P-O/P:100MQ/500VDC/25°C(77°F)/70%RH
	EMC Emission	FCC Part 15 B
Others	Net. Weight	4.85 lbs (2.2kg)
	Size	10.9" / 278mm (L) x 4.3" / 110mm (W) x 1.8" / 45mm (H)
	Master Case	10PCS/CTN

* All parameters if NOT specially mentioned are measured at 120VAC input, rated load and 25°C (77°F) of ambient temperature.

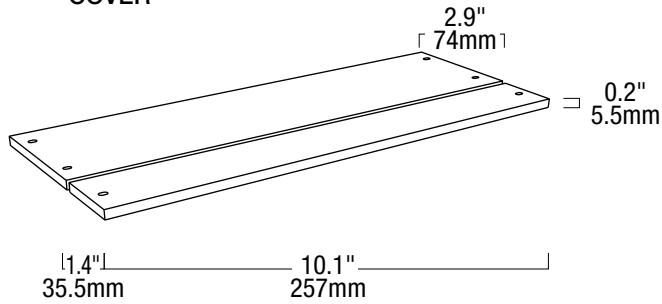
TLD24V-192W
24V DRIVER FOR PINNACLE SERIES
SPECIFICATION GRADE LED TAPE LIGHT

APPLICATIONS

The Pinnacle Series 24V driver has been designed with complete flexibility in mind. The compact size with a profile height of less than 1.8" and a certificate for wet rated locations allows for unlimited installation applications. It meets all requirements for Class 2 certification and is the recommended driver for use with our 24V Pinnacle Series LED tape light.

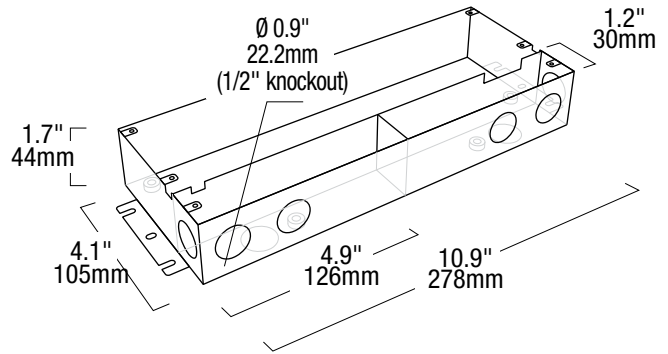
DIMENSIONS

COVER



10.1" / 278mm (L) x 4.3" / 109.5mm (W) x 1.8" / 45mm (H)

JUNCTION BOX



RATINGS



ORDERING GUIDE

Pinnacle TLD24V Series

Series	Wattage	Input Voltage	Output Voltage
TLD24V	192W	100-277V AC	24V DC

Notes: Configure product using **BOLD** options: Ex: TLD24V-**192W**