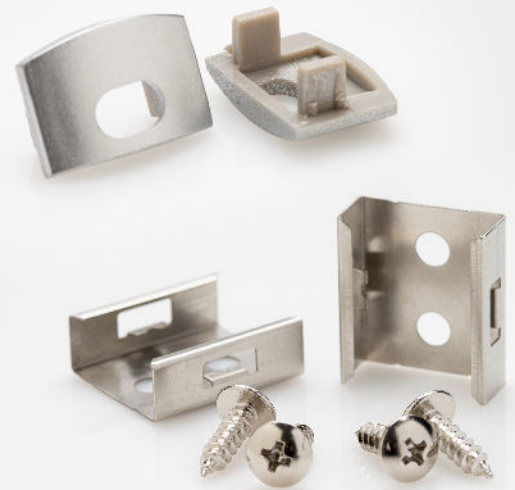
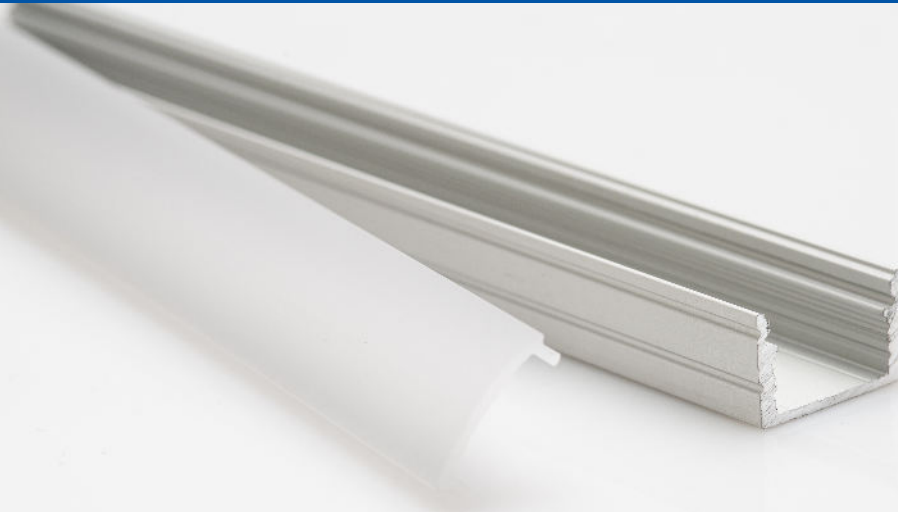


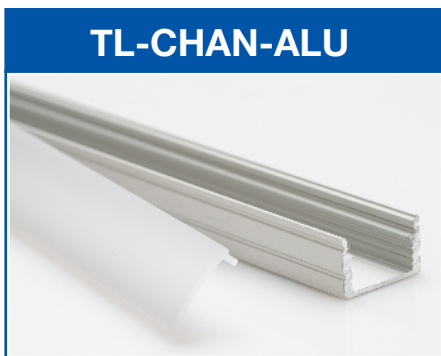
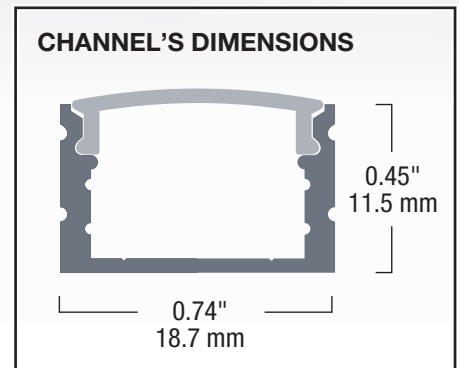
# PINNACLE | ALUMINUM CHANNEL AND ACCESSORIES



In conjunction with the frosted lens, The Pinnacle Series aluminum channel provides a sleek look and a smooth diffused light output. These channels are compatible with any of the 24 V Pinnacle Series tape light models. Each channel is sold with its own frosted 42" lens.

The end caps are designed to provide a clean end finishing on the Pinnacle Series' channels. Each end cap has an opening to allow for the 24 V wire leads to pass through the end cap to the tape installed in the channel. The end cap kit includes two end caps.

The mounting clips are straight mounted clips designed to securely mount the Pinnacle Series channel. Each mounting clip kit comes with four mounting clips and the installation screws.



42" Aluminum channel & frosted lens  
Sold in tube quantity only  
10 lengths per tube



Channel end caps with hole  
Sold as 2pcs per kit



Channel mounting clips with screws  
Sold as 4 clips and 8 screws per kit